

# JBB 7278

Intrinsically safe star-connected barriers  
for alternating or bipolar waveform signals in grounded circuits

INTRINSICALLY  
SAFE  
SECURITY SYSTEMS



## DESCRIPTION:

**JBB 707x** Intrinsically safe barrier (Zener Barrier) with star connection, P12 housing.

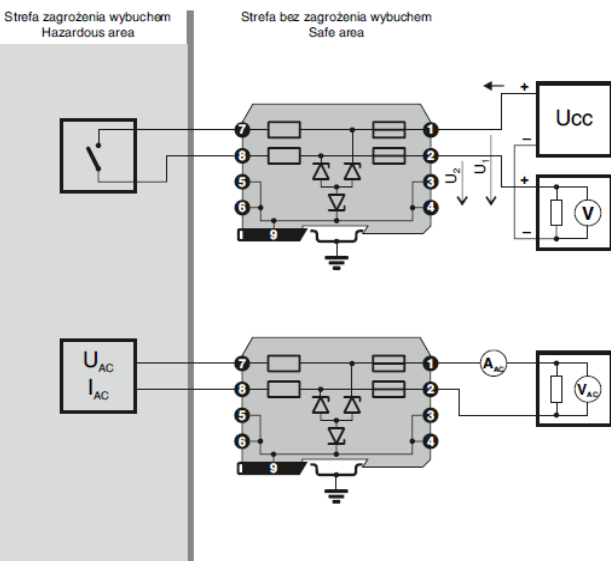
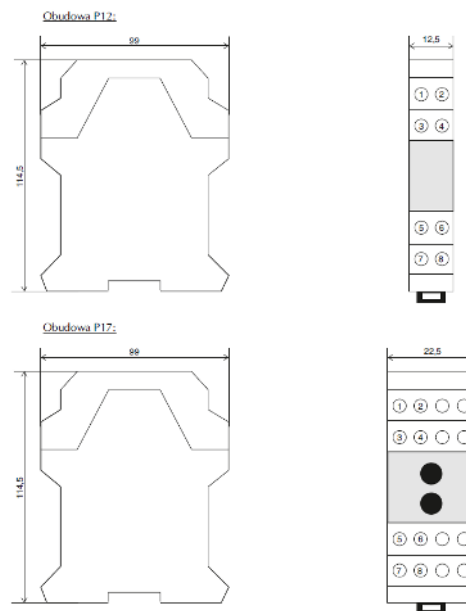
**JBB 717x** Intrinsically safe barrier (Zener Barrier) with star connection, with the possibility of fuse replacement, P17 housing.

### Replaceable fuse.

JBB 727x Intrinsically safe barrier (Zener Barrier) with a star connection with an increased only for groups IIB and IIA, enclosure.

### High power for IIA and IIB.

### Active DC and AC sensors, thermocupled.



## CONNECT:

### JBB 707x, JBB 717x, JBB 727x

- 1.....+ in/out 1
- 2.....+ in/out 2
- 7.....+ in/out 1 Ex
- 8.....+ in/out 2 Ex
- 3, 4, 5, 6, 9 ..... GND

• **Binary output in the explosion hazard zone:** applicable to signal transmission digital (relay short circuit) in isolated networks.

• **Analog input in the explosion hazard zone:** it is used for the transmission of alternating electrical signals from the explosion hazard zone e.g. audio-video signals, data transmission, output from vibration sensors, from devices security measures, etc.

# JBB 7278

Intrinsically safe star-connected barriers  
for alternating or bipolar waveform signals in grounded circuits

INTRINSICALLY  
SAFE  
SECURITY SYSTEMS



## TECHNICAL PARAMETERS:

Type	Group	U <sub>o</sub> [V]	I <sub>o</sub> [mA]	R <sub>o</sub> [Ω]	L <sub>o</sub> [mH]	C <sub>o</sub> [μF]
JBB (MM) 7279	1a	31,4	92	342	See below – items 1a, 2, 2b, 3a, 4a in accordance with the Group	
JBB (MM) 7278	2	28	93	304		
JBB (MM) 7078	2b	28	47	608		
JBB (MM) 7178	2b	28	47	608		
JBB (MM) 7077	3a	15,8	75	212		
JBB (MM) 7177	3a	15,8	75	212		
JBB (MM) 7076	4a	9,9	99	100		
JBB (MM) 7176	4a	9,9	99	100		

## COMMENTS:

**U<sub>o</sub> R<sub>o</sub> I<sub>o</sub>** safety parameters

**U<sub>wash</sub>** the maximum operating voltage  
at flow rate < 10 μA

**R<sub>max</sub>** maximum resistance

**Cap.** value fuse

All barriers are equipped with internal  
inaccessible fuse.

The 712xx series additionally includes  
internal replaceable fuse with lower  
nominal value.

\*typ JBB7279 i JBB7278 cannot be used  
for IIC.

## Warning:

**Please check compatibility safety  
parameters connected devices!**

**Make sure that the system of  
equipment used is intrinsically safe!**

**In the case of unclear please contact  
support MM Group, s.r.o.!**