

JBB 7048+

Intrinsically safe dual barriers (double channel)
for positive or negative polarization signals in grounded circuits

INTRINSICALLY
SAFE
SECURITY SYSTEMS



DESCRIPTION:

JBB 704x+ Intrinsically safe barrier (Zener Barrier) for polarization positive voltage or current, P12 housing.

Double channel.

JBB 704x- Intrinsically safe barrier (Zener Barrier) for polarization negative voltage or current, P12 housing.

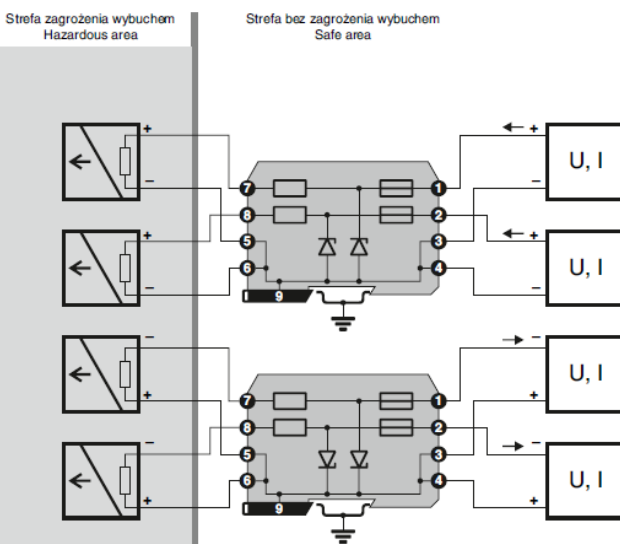
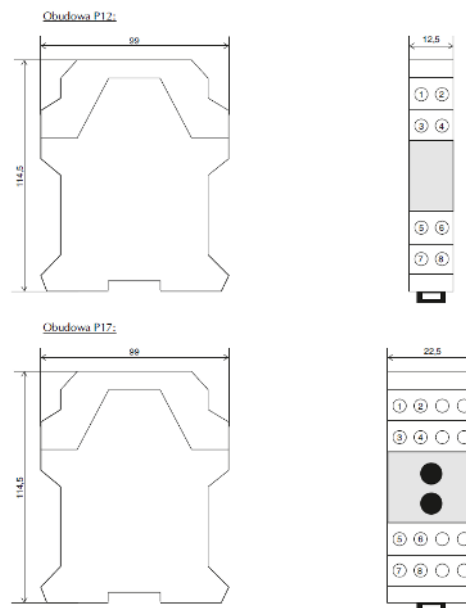
Double channel.

JBB 714x+ Intrinsically safe barrier (Zener Barrier) for polarization voltage or current, with the possibility of replacing fuse, P17 housing.

Double channel. Replaceable fuse.

JBB 714x- Intrinsically safe barrier (Zener Barrier) for polarization negative voltage or current, with the possibility of replacing fuse, P17 housing.

Double channel. Replaceable fuse.



CONNECT:

JBB 704x+, JBB 714x+

- 1.....+ in/out 1
- 2.....+ in/out 2
- 7.....+ in/out 1 Ex
- 8.....+ in/out 2 Ex
- 3, 4, 5, 6, 9 GND

JBB 704x-, JBB 714x-

- 1.....- in/out 1
- 2.....- in/out 2
- 7.....- in/out 1 Ex
- 8.....- in/out 2 Ex
- 3, 4, 5, 6, 9 GND

• **Analog dual output with positive polarity to zone explosion hazards:** they are used, for example, to control valves, position sensors, to control and power supply to optical signalling devices or and all other devices that are placed in the zone explosion hazard.

• **Analog dual output with negative polarity to the explosion hazard zone:** they are used, for example, to control valves, position sensors, to control and power supply to optical signalling devices or and all other devices that are placed in the zone explosion hazard.

JBB 7048+

Intrinsically safe dual barriers (double channel)
for positive or negative polarization signals in grounded circuits

INTRINSICALLY
SAFE
SECURITY SYSTEMS



TECHNICAL PARAMETERS:

Type	Group	U _o [V]	I _o [mA]	R _o [Ω]	L _o [mH]	C _o [μF]
JBB (MM) 7049+	1	31,4	184	171	See below – items 1, 2, 3, 4, 5 in accordance with the Group	
JBB (MM) 7149+	1	31,4	184	171		
JBB (MM) 7049-	1	31,4	184	171		
JBB (MM) 7149-	1	31,4	184	171		
JBB (MM) 7048+	2	28	93	304		
JBB (MM) 7148+	2	28	93	304		
JBB (MM) 7048-	2	28	93	304		
JBB (MM) 7148-	2	28	93	304		
JBB (MM) 7047+	3	15,8	149	106		
JBB (MM) 7147+	3	15,8	149	106		
JBB (MM) 7047-	3	15,8	149	106		
JBB (MM) 7147-	3	15,8	149	106		
JBB (MM) 7046+	4	9,9	198	50		
JBB (MM) 7146+	4	9,9	198	50		
JBB (MM) 7046-	4	9,9	198	50		
JBB (MM) 7146-	4	9,9	198	50		
JBB (MM) 7045+	5	3	298	10,1		
JBB (MM) 7145+	5	3	298	10,1		
JBB (MM) 7045-	5	3	298	10,1		
JBB (MM) 7145-	5	3	298	10,1		

COMMENTS:

U_o R_o I_o safety parameters

Uwash the maximum operating voltage at flow rate < 10 μA

R_{max} maximum resistance

Cap. value fuse

All barriers are equipped with internal inaccessible fuse.

Series 714x additionally have internal replaceable fuse with lower nominal value.

* type JBB7049 i JBB7149 cannot be used for IIC.

Warning:

Please check compatibility safety parameters connected devices!

Make sure that the system of equipment used is intrinsically safe!

In the case of unclear please contact suport MM Group, s.r.o.!