

MM 5061

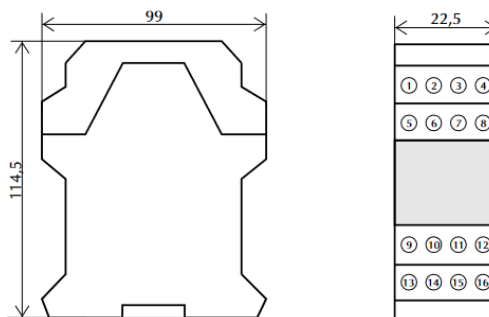
Intrinsically safe RS422 and 485/Rx Bus Isolator

Intrinsically safe
SAFETY SYSTEMS



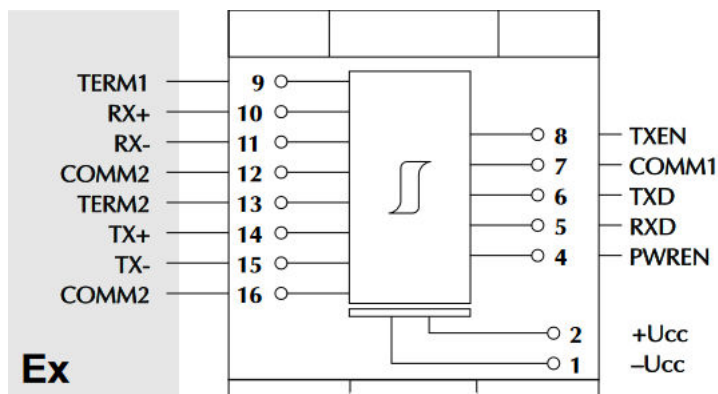
DESCRIPTION:

The intrinsically safe isolation amplifiers MM 5061 are designed for galvanic isolation and transmission of RS422 and 485 bus signals from an explosion-hazardous environment of gases and vapours to an explosion-free environment. They are connected as an active element between an intrinsically safe block equipped with a communication bus and a higher-level data acquisition system. Everything is made in a special version in accordance with the ČSN EN 60079-11 standard.



PRODUCT FEATURES

- Intrinsically safe RS422 and 485 bus input
- Output - Rx and Tx data



CONNECT:

- 1) N/- Ucc
- 2) L/+ Ucc
- 3) NC
- 4) PWREN
- 5) RXD
- 6) TXD
- 7) Comm1
- 8) TXEN
- 9) TERM1
- 10) RX+
- 11) RX -
- 12) Comm2
- 13) TERM 2
- 14) TX+
- 15) TX -
- 16) Comm2

MM 5061

Intrinsically safe RS422 and 485/Rx Bus Isolator

Intrinsically safe
SAFETY SYSTEMS



Technical parameters

Exemplary Marking	MM 5061 AC (230V)	MM 5061 DC (24 V)
Power Supply		
Voltage	230 V _{AC}	20-35 V _{SS}
Frequency	50 Hz	N/A
Power	max 3 W for 24V/20mA	max 3 W for 24V/20mA
Galvanic separation	Input from output and power	Input from output and power
Number of channels	1	1
Inputs and Outputs parameters		
Hazardous Zone Output	RS485	RS485
Input From Hazardous Zone	Bus Rx, Tx	Bus Rx, Tx
Intrinsically safe Circuit	13,02V, 112 Ω, 125 mA	13,02V, 112 Ω, 125 mA
Input – Output Isolation	2,5kV (EN 60079-11)	2,5kV (EN 60079-11)
LED indication		
Power Supply	Green	Green
Environmental Class	II (1G) [Ex ia] IIC, I M1 /Ex ia/ I.	II (1G) [Ex ia] IIC, I M1 /Ex ia/ I.
Housing		
Dimensions	99mm x 22,5mm x 114,5 mm (HxWxD)	99mm x 22,5mm x 114,5 mm (HxWxD)
Housing type	16-contacts	16-contacts
Material	polycarbonate/ABS	polycarbonate/ABS
Mount	DIN 35	DIN 35
Connect	Screws/ Contacts	Screws/ Contacts
IP Rating	IP20	IP20