

MM 5049

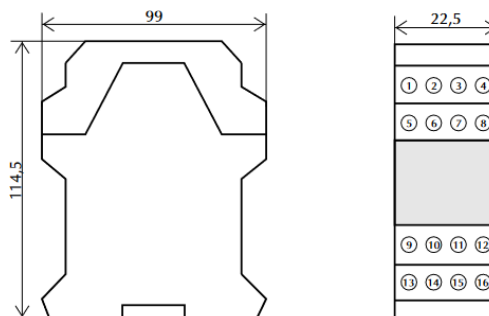
Programmable Intrinsically Safe Current Loop Isolator I/Contact
Output: 2 x switchable relay contact

Intrinsically safe
SAFETY SYSTEMS



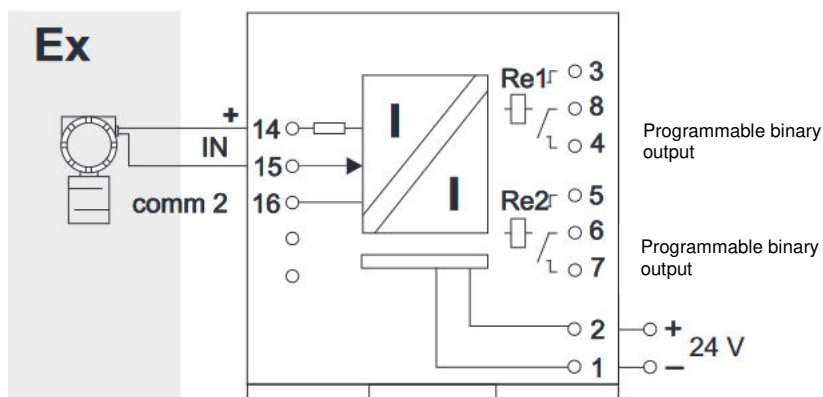
DESCRIPTION:

The intrinsically safe isolation amplifier is designed for galvanic isolation of the measurement signal from the devices intended for its processing. The MM 5049 is a fully isolated power source designed to power and transmit analog signals of two-wire and three-wire transducers with a 4-20mA analog signal output. At the same time, it allows you to compare the input signal with the possibility of programmatically setting the threshold level of switching on or disconnecting the output relay contacts.



PRODUCT FEATURES

- Intrinsically safe entrances
- Dual Binary Output Isolation Amplifier
- galvanic isolation of the input and output circuits
- galvanic isolation of the supply voltage from the input and output circuits
- universal (active/passive) input
- programmatically set on/off of output relays



CONNECT:

- 1 - $-U_{cc}/N$ (24/12V DC power supply)/230 V AC
- 2 - $+U_{cc}/L$ (24/12V DC power supply)/230 V AC
- 4 - switchable relay contact 1
- 8 - relay center 1
- 3 - switchable relay contact 1
- 5 - switchable relay contact 2
- 6 - relay center 2
- 7 - switchable relay contact 2
- 14 - input 1 (+)
- 15 - input 1 (-)
- 16 - input 1 (comm 2)

MM 5049

Programmable Intrinsically Safe Current Loop Isolator I/contact
Output: 2 x switchable relay contact

Intrinsically safe
SAFETY SYSTEMS



Technical parameters

Exemplary Marking	MM 5049 AC (230V)	MM 5049 DC (24 V)
Power Supply		
Voltage	230 V _{AC}	20-35 V _{SS}
Frequency	50 Hz	N/A
Power	max 1,1 W for 24V/20mA	max 1,1 W for 24V/20mA
Galvanic separation	Input from output and power	Input from output and power
Number of channels	1	1
Inputs and Outputs parameters		
Hazardous Zone Output	0/4 - 20mA, 16,5 V przy 20 mA or chosen by user	0/4 - 20mA, 16,5 V przy 20 mA or chosen by user
Input From Hazardous Zone	2 x switchable relay contact 230 V/15 A	2 x switchable relay contact 230 V/15 A
Intrinsically safe Circuit	28V, 300 Ω, 93 mA	28V, 300 Ω, 93 mA
Input – Output Isolation	2,5kV (EN 60079-0/60079-11)	2,5kV (EN 60079-0/60079-11)
Accuracy (as required)	0,2 lub 0,05% from range	0,2 lub 0,05% from range
Temperature drift	0,8 μA/°C (0/4 - 20mA)	0,8 μA/°C (0/4 - 20mA)
LED indication		
Power Supply	Green	Green
Environmental Class	II 2 G /Ex ia Ga/ IIC, II 1 G /Ex ia Ga/ IIC, I M1 /Ex ia Ma/ I	II 2 G /Ex ia Ga/ IIC, II 1 G /Ex ia Ga/ IIC, I M1 /Ex ia Ma/ I
Housing		
Dimensions	99mm x 22,5mm x 114,5 mm (HxWxD)	99mm x 22,5mm x 114,5 mm (HxWxD)
Housing type	16-contacts	16-contacts
Material	polycarbonate/ABS	polycarbonate/ABS
Mount	DIN 35	DIN 35
Connect	Screws/ Contacts	Screws/ Contacts
IP Rating	IP20	IP20